



DLVG-118 Installation Instructions

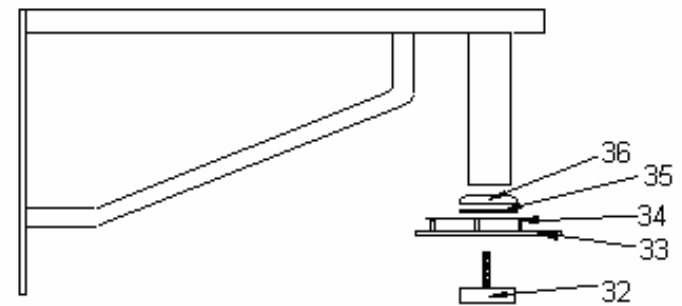
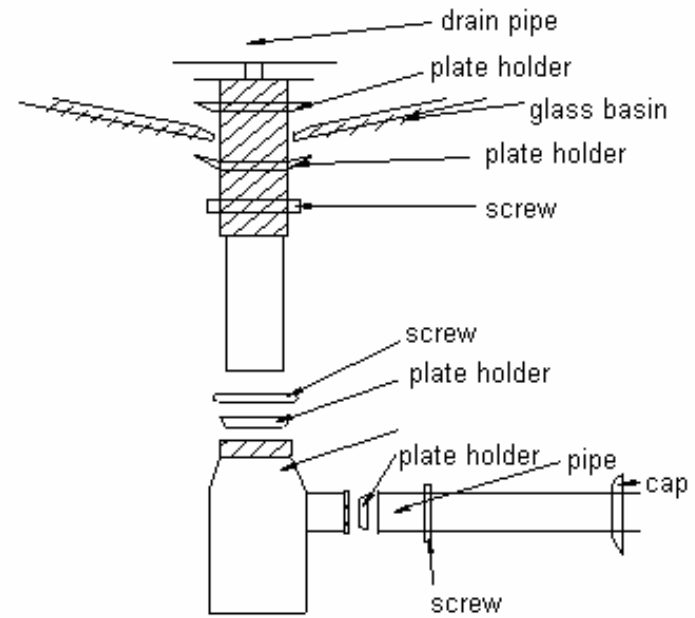
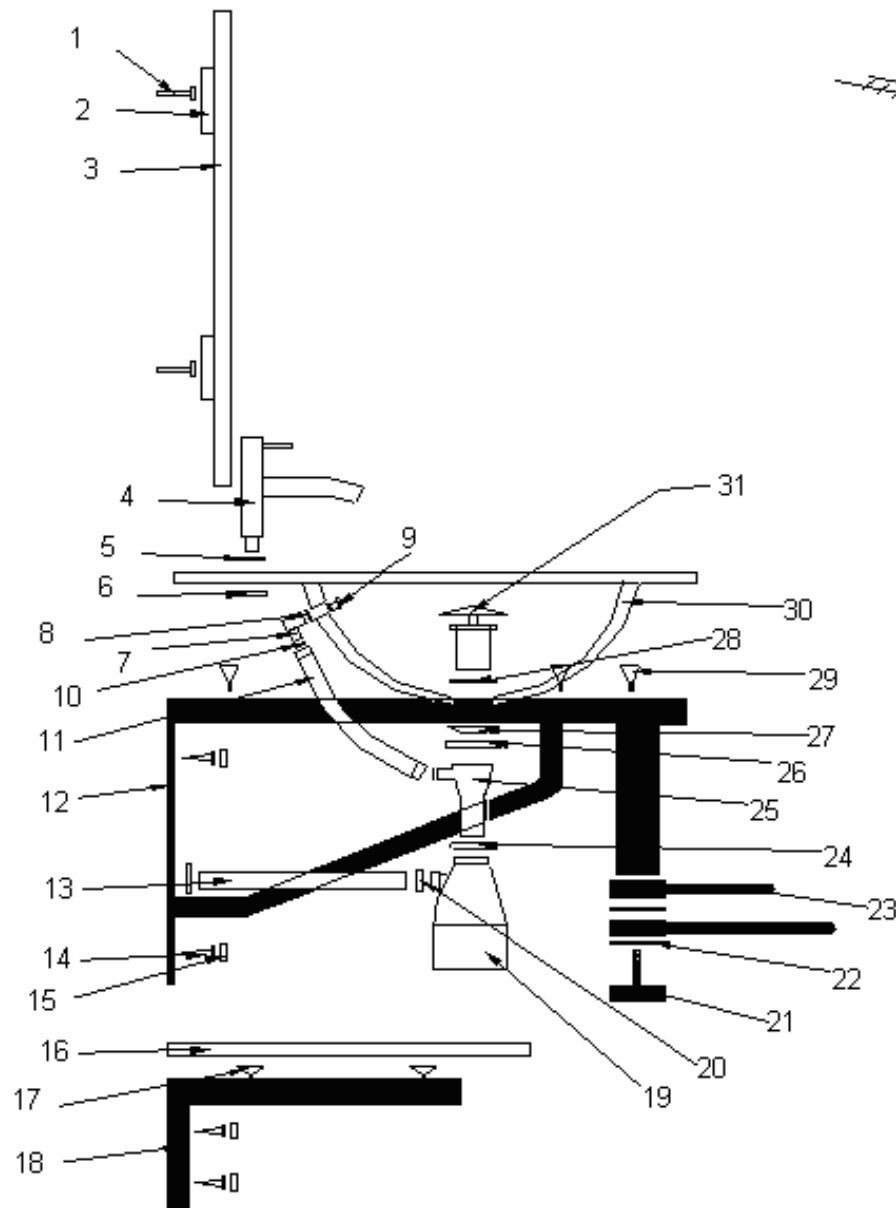


Parts list:

- | | | |
|-----------------------|--------------------------|-----------------------------|
| 1. screws | 13. water pipe | 25. drain pipe |
| 2. mirror brackets | 14. joint screw | 26. screw nut |
| 3. mirror | 15. screw cap | 27. rubber gasket |
| 4. faucet | 16. bottom shelf | 28. rubber gasket |
| 5. faucet pad | 17. shelf pads | 29. brass pads |
| 6. screw nut | 18. bottom shelf bracket | 30. glass table and basin |
| 7. overflow base | 19. trap | 31. umbrella-drain assembly |
| 8. glue pad | 20. screw nut | 32. cap |
| 9. overflow head | 21. cap | 33. glass shelf |
| 10. glue pad | 22. glue pad | 34. stainless ring |
| 11. overflow pipe | 23. towel rack | 35. rubber gasket |
| 12. stainless bracket | 24. screw nut | 36. shelf bracket |

Mounting Process:

1. Locate the desired height to mount the sink brackets. Place a mark.
2. Make sure the mounting screws go inside the studs or any reinforcement behind the wall to withstand the weight of the glass countertop with the glass basin.
3. When placing the glass countertop on the metal pads, make sure there are rubber gaskets in between the pads and the glass to prevent glass from scratching.
4. Connect trap to drain assembly. Hand tight to check alignment.
5. Connect the overflow to the drain assembly
6. Secure the faucet in place. Connect hot and cold water lines.
7. Secure the round glass shelf with screws.
8. Fasten the bottom shelf brackets to the wall and place the glass bottom shelf on the rubber gaskets.
9. Mount the mirror at desired position.



Product Description

Model No. G118

- (1) 19mm clear glass top with clear oval bowl under mount
- (2) Stainless steel bracket
- (3) Clear glass shelves
- (4) Chrome finish towel
- (5) Matching mirror
- (6) Pop-up drain and T-trap
- (7) Optional faucet
- (8) Mirror dimensions: 35.43" x 31.5"

Note: Dimensions shown for location of supplies and waste are suggested.

