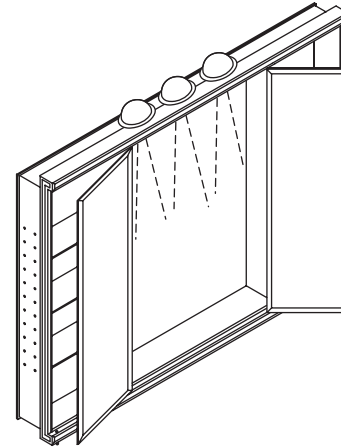


### BIC4838LBE

#### Features

- Surface mount only
- Patented concealed surface-mounting system
- Mirrored doors and interior, matte silver interior
- Patented swing-out magnifying mirror
- Rust-free aluminum construction
- Three adjustable glass shelves
- Patented push button opener
- Polymer safety-back doors
- Electric feature includes two duplex 15 A, 110 VAC GFCI outlets
- 3/4" (1.9 cm) Beveled mirrored doors and 1/4" (6 mm) beveled fascia
- 48" (121.9 cm) x 38-1/8" (96.8 cm) x 5-1/2" (14 cm)



#### Codes/Standards Applicable

Specified model meets or exceeds the following:

- Electrical options are UL listed for damp locations

#### Specified Model

Model	Description	
BIC4838LBE	Two flat beveled mirrored door cabinets with inset mirror, electrical outlets and swivel lighting	<input type="checkbox"/>
<b>Required Accessories</b>		
SK38	Side kit for surface mount cabinets without TLS light strip	<input type="checkbox"/>
SKL38	Side kit for surface mount cabinets with TLS light strip	<input type="checkbox"/>
SK or SKL side kit must be ordered to complete unit. Refer to the Price Guide for more information.		
<b>Optional Accessories</b>		
SLBBI48	Safety-lock box	<input type="checkbox"/>
TLS48	12 bulb light strip	<input type="checkbox"/>
CAHC-A	Cabinet mounted halogen light, chrome and glass shade	<input type="checkbox"/>
CAHC-B	Cabinet mounted halogen light, all chrome shade	<input type="checkbox"/>
CAHC-CE	Cabinet mounted halogen light, ebony black shade	<input type="checkbox"/>
CAHC-CS	Cabinet mounted halogen light, matte silver shade	<input type="checkbox"/>
Cabinets with lighting cannot be recessed. This is a fire hazard. Refer to the Price Guide for more information.		

# C SERIES CABINET

## Technical Information

Roughing-in opening	46-3/4" (118.7 cm) x 34-3/4" (88.3 cm) x 4" (10.2 cm)
Door opening angle	180°

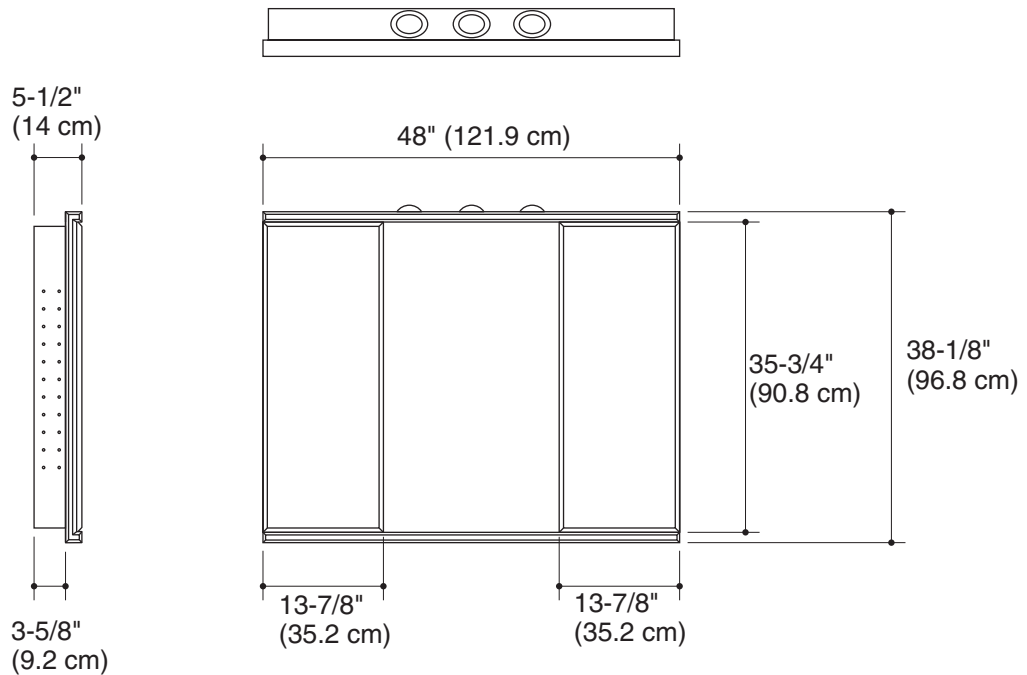
## Installation Notes

Install this product according to the installation guide.

When determining the height of the mirrored cabinet, ensure the mirrored door will clear all obstacles, such as a faucet. A minimum distance of 1" (2.5 cm) is required.

Secure the screws (provided) to a stud to avoid possible property and product damage. If this is not possible, anchors must be inserted before installing the screws.

Cabinets with lighting cannot be recessed. This is a fire hazard. SK or SKL side kit must be ordered to complete unit.



## Product Diagram