

Installation Sheet

Mounting ring and Drain Installation Guide For Glass Sinks Above Counter

Step 1

Position and drill a 1-3/4" hole for the drain on the countertop.

Step 2

Place mounting ring under the sink as shown on the right.

Mounting Ring Detail

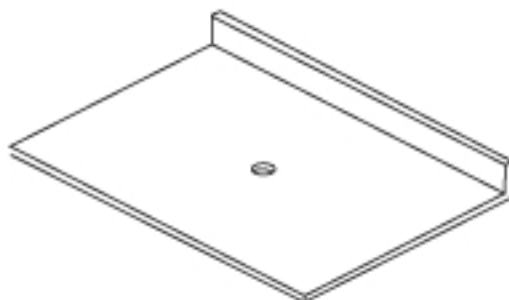
Horizontal view



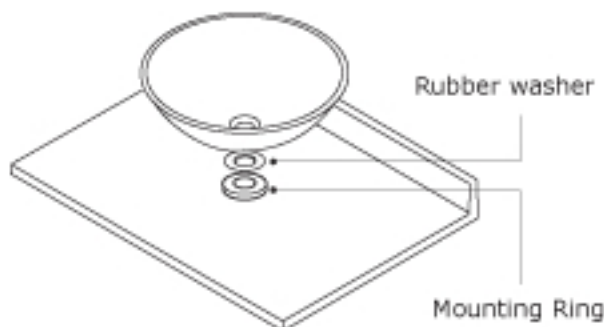
Vertical view



1



2



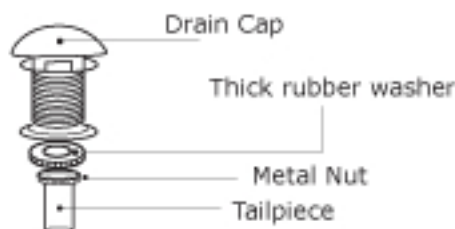
Step 3

Drain assembly picture

Place a generous portion of plumbers' putty under drain cap and insert whole drain body inside the bowl and through the countertop.

*There may be a small beveled rubber washer packaged with your drain, please discard this and use plumbers' putty instead.

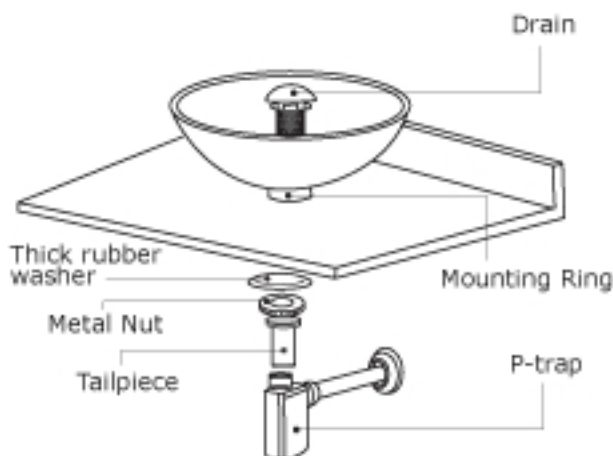
3



Step 4

From under the drain, insert the thick rubber washer and screw on and tighten the metal nut. Remove excess plumbers' putty.

4



Step 5

Attach p-trap to tailpiece.

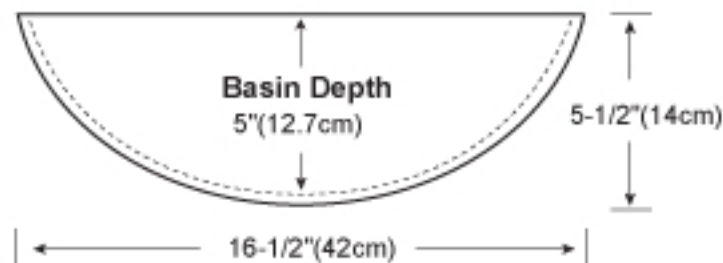
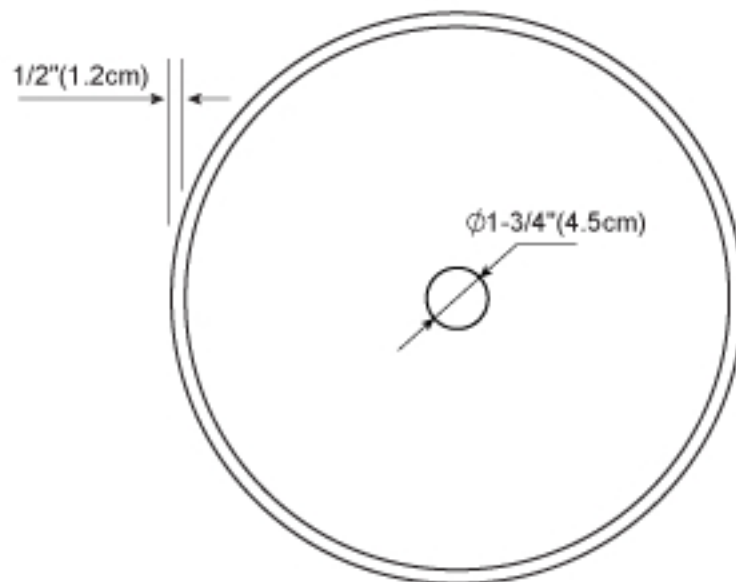
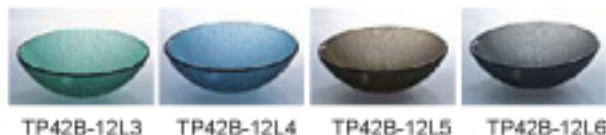
5

USE CAUTION when using adhesives with silicone. Once in place, silicone will be difficult to remove. Only use silicone adhesives that are suited for glass. Please note that beads or dabs of silicone are visible through clear or obscure glass.

Tempered Glass Vessel

Model: TP42B-12L (Y)

Model	TP42B - 12L(Y)
(Width)	16-1/2"(42cm)
(Height)	5-1/2"(14cm)
Glass thickness	1/2" (1.2cm)



Note: Y denotes color of glass